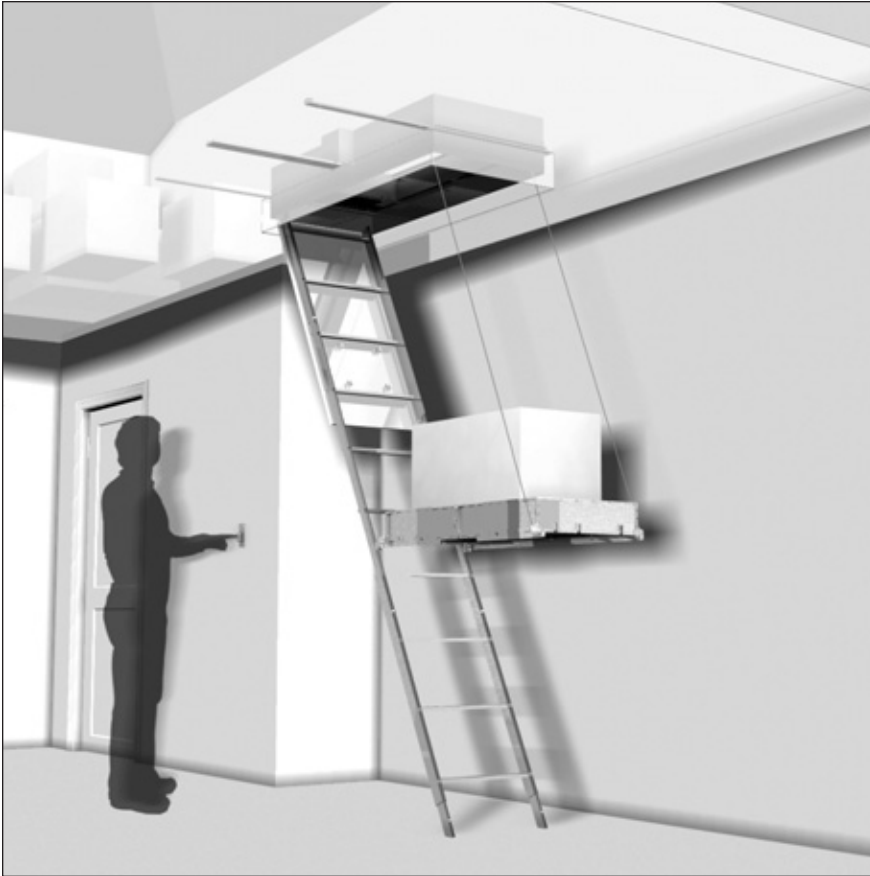


# SpaceLift<sup>TM</sup>

RAISING STORAGE TO A HIGHER LEVEL

## SpaceLift 6000 Site Selection



SpaceLift 6000 Operation Sequence



Operation: Step 1



Step 2



Step 3



Step 4



Step 5



Step 6

### THE SPACELIFT ATTIC STORAGE SOLUTION

The SpaceLift 6000 attic lift system provides homeowners with convenient, automated and cost-effective attic access. The SpaceLift platform travels along the stairway suspended by four aviation-quality stainless steel cables and in the attic stows to either side of the opening for access, loading and offloading. SpaceLift systems are for residential use only and require installation through an authorized SpaceLift dealer.

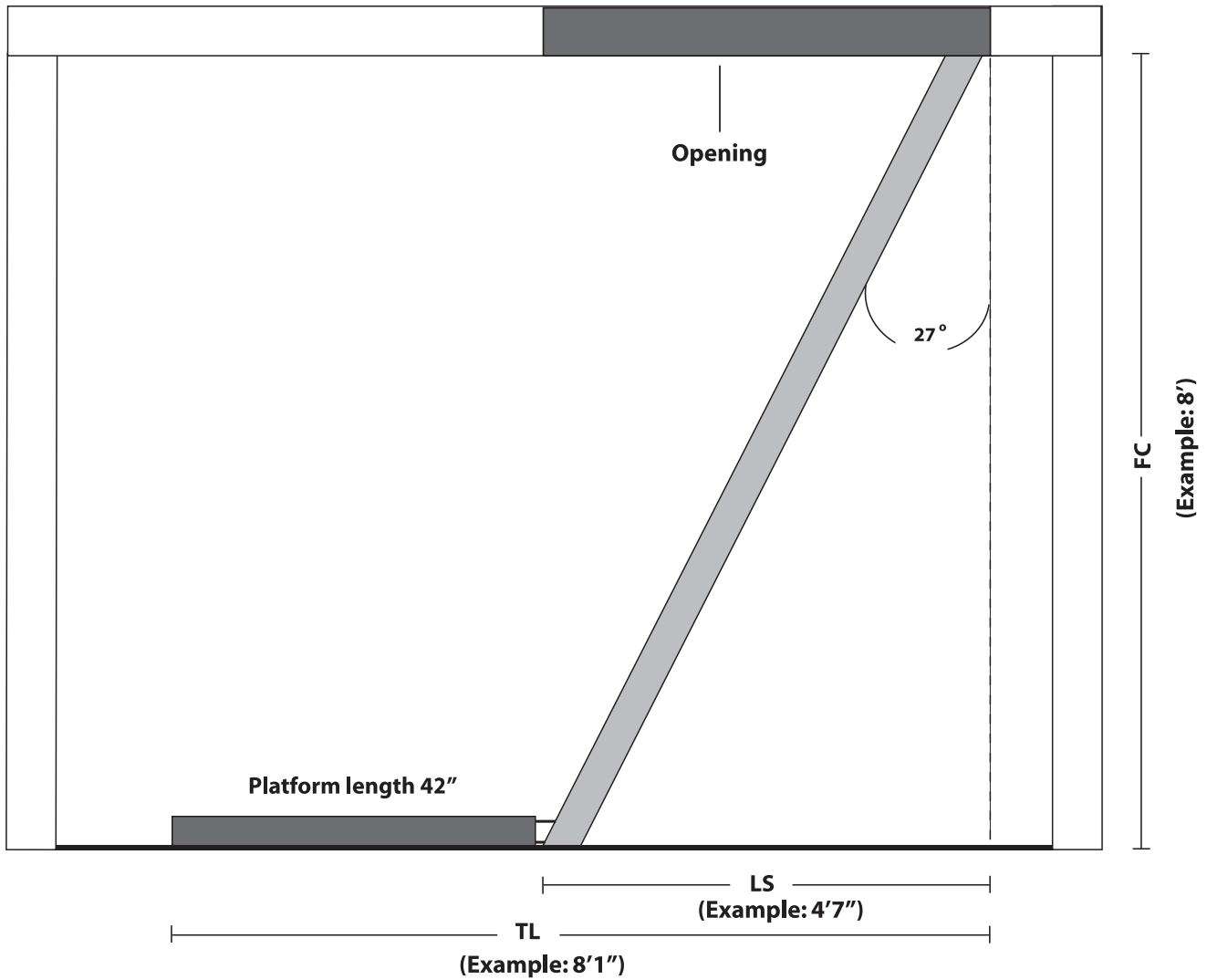
### Installation Requirements

- Standard 22-1/2 x 54 inch framed attic opening
- Electrical power available (110 Volt AC)
- Attic floor that supports 35-lbs/sq foot loads
- Open truss attic construction
- Optional adjustable frame sizes and R-rated doors available

### Specifications

- Internal platform area: 18" x 40"
- Wall-mounted remote control
- Lift weight capacity: 75 pounds
- Lift speed: one-half ft/second
- 6000 stairway capacity: 350 pounds

**FIGURE 101 "A"**



**Site Selection Objective:**

select a location in the home (or garage) for the SpaceLift 6000 attic lift that is free of hazards and obstructions providing adequate room for installation, stairway deployment and operation.

**[See Figure 101 A]**

Refer to Figure 101 A and the 6000 Site Dimension Table 201 for relative dimensions. The example provided here is for a Floor to Ceiling height of 8 feet. Figure 101 A is applicable for most installations, however, in situations where floor space is restricted refer to Figure 101 B and the Site Dimension Table.

FC	LS	TL	TLS
7'8"	4'5"	7'11"	6'6"
7'10"	4'6"	8"0"	6'7"
<b>8'0"</b>	<b>4'7"</b>	<b>8'1"</b>	<b>6'8"</b>
8'2"	4'8"	8'2"	6'9"
8'4"	4'9"	8'3"	6'10"
8'6"	4'10"	8'4"	6'11"
8'8"	4'11"	8'5"	7'0"
8'10"	5'0"	8'6"	7'1"
9'0"	5'1"	8'7"	7'2"
9'2"	5'2"	8'8"	7'3"
9'4"	5'3"	8'9"	7'4"
9'6"	5'4"	8'10"	7'5"
9'8"	5'5"	8'11"	7'6"
9'10"	5'6"	9'0"	7'7"
10'0"	5'7"	9'1"	7'8"
10'2"	5'8"	9'2"	7'9"
10'4"	5'9"	9'3"	7'10"
10'6"	5'10"	9'4"	7'11"

**SpaceLift 6000 Site Dimensions (Table 201)**

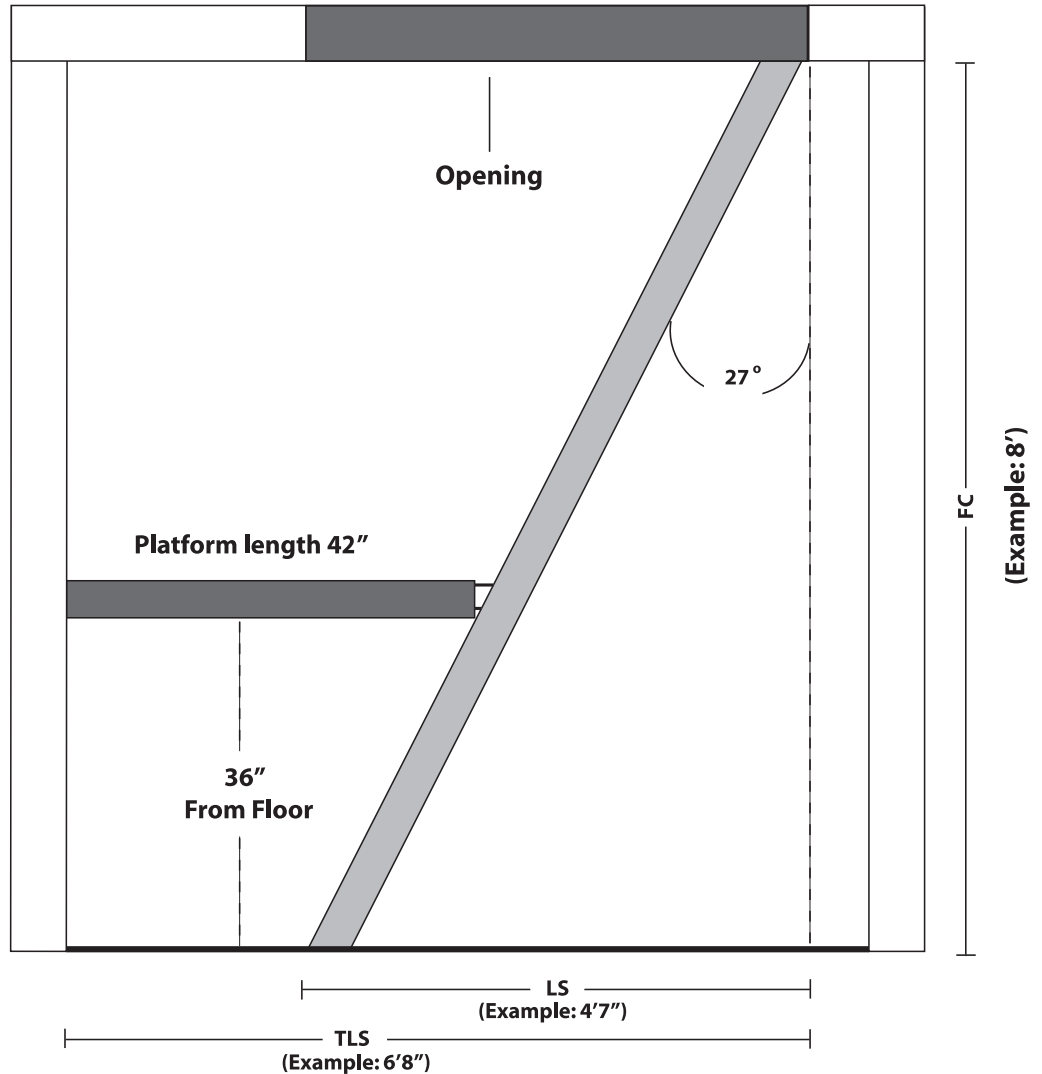
- FC = Finished Floor to Finished Ceiling
- LS = Lift to Stairway
- TLS = Total Length Suspended
- TL = Total Length

**Note: Distance from inside of opening to wall must be equal or greater than Total Length (TL).**

**FIGURE 101 "B"**

**[See Figure 101 B]**

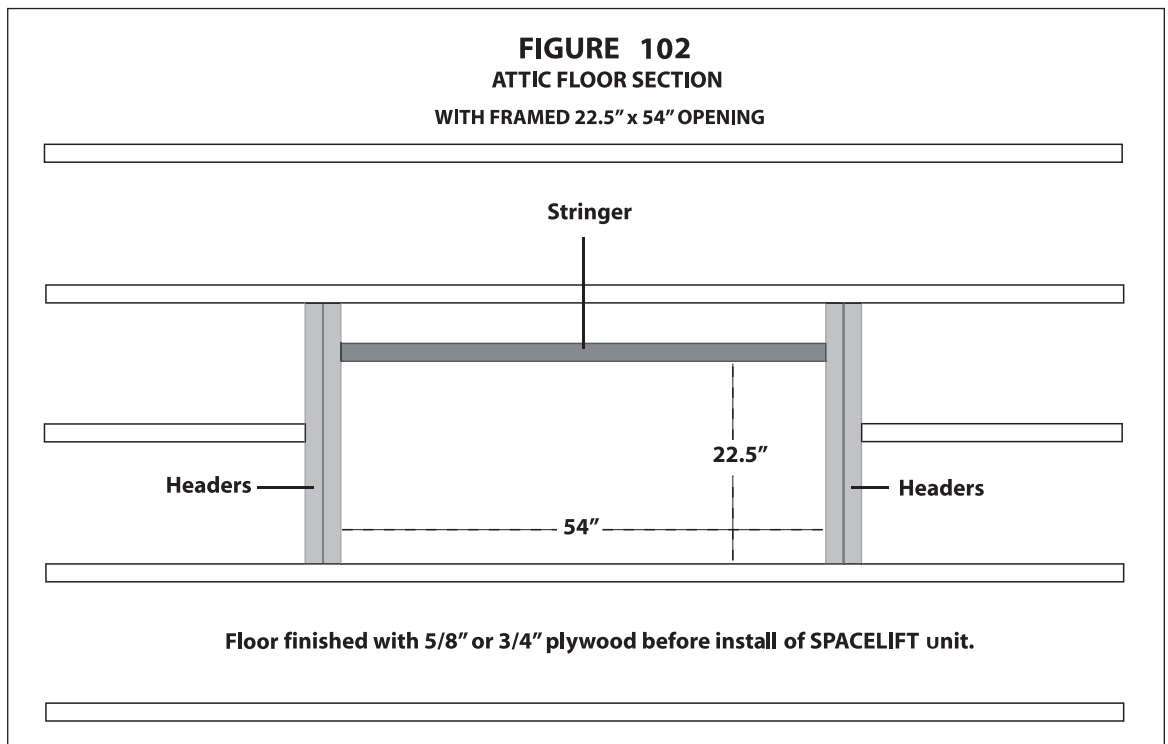
If space is restricted, the SpaceLift system can be set at initial activation so platform does not fully lower to the floor level. This also limits the platform's horizontal travel distance from the opening. In the Figure 101 B example provided here the platform lowers to a distance of 36 inches above the floor, which allows for convenient loading and off loading.



**[See Figure 102]**

- Framed Attic Opening:**  
 22-1/2" x 54"  
**(Note:**  
 opening variance  
 min. 22-1/4"  
 to max. 22-3/4"  
 by min. 53-3/4"  
 to max. 54-1/4"

Optional adjustable frame sizes and R-rated doors available



[See Figure 103 A & 103 B]

2. **Lift Platform Stowed Attic Position:**

allow minimum of 45-1/2" width by 60" length in the attic space to accommodate the opening and lift platform in the stowed position (**Note:** in addition to the 22-1/2" opening width, allow a minimum of 23" width for platform to stow once it returns to the attic space. Platform may be configured to stow on either side of the opening).

3. **Ceiling Thickness (CT):**

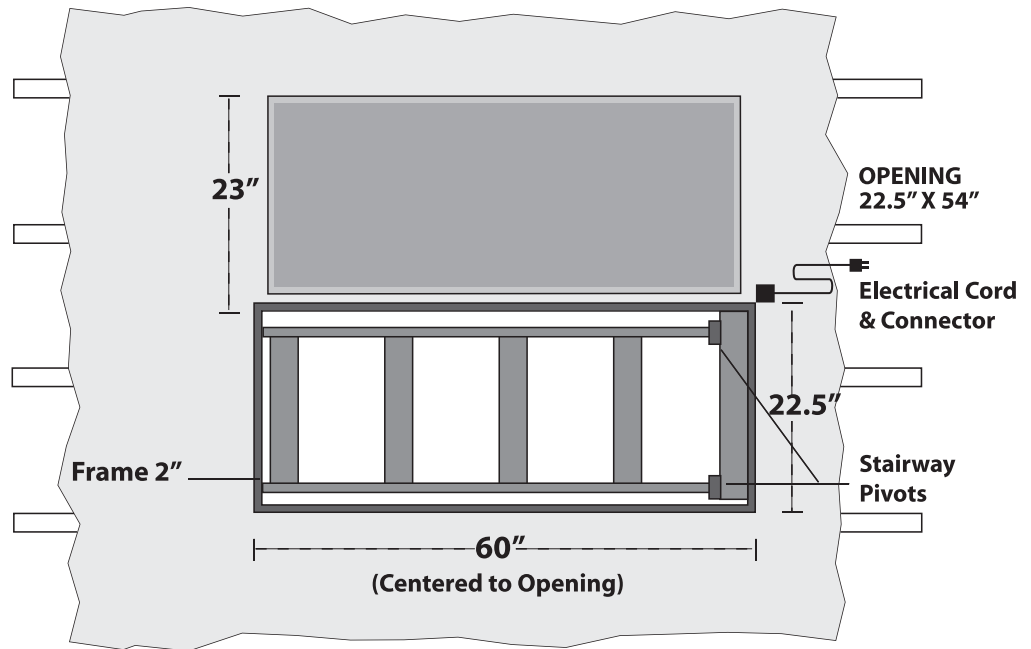
minimum of 4-1/2" to maximum of 15" (**Note:** ceiling thickness is measured from finished ceiling of the lower level to finished floor of the upper level. If Ceiling Thickness (CT) is greater than 4-1/2" the maximum Finished Floor to Finished Ceiling (FC) of 10'6" must be reduced by the value of the CT thickness exceeding 4-1/2").

4. **Finished Attic Floor:** attic floor must be level and finished with 5/8" or 3/4" plywood or comparable material.

5. **Power Supply:** 110-120 Volt AC power required. (**Note:** if plugged into standard electrical outlet, the outlet must be no more than 5 feet from the lift platform power junction box once it is mounted).

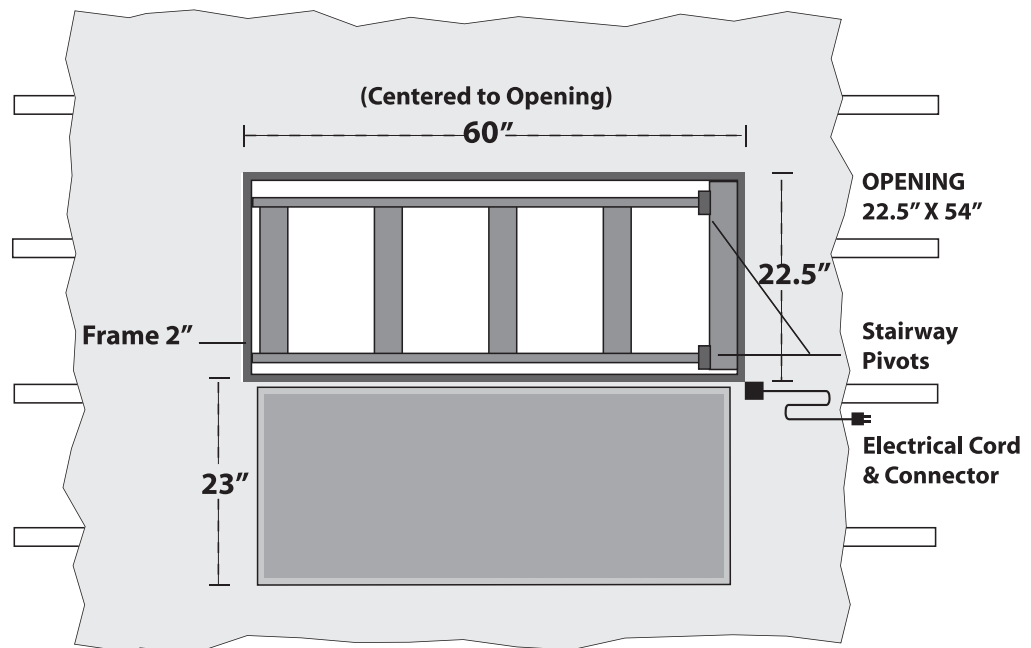
6. **SpaceLift Stairway:** designed for range of ceiling heights with maximum of 10'6" and 300-pound human load capacity (**Note:** In applications with Floor to Ceiling (FC) between 10'2" and 10'6", due to cable length restrictions, the platform loading position may be as high as 4" above the floor level.)

**FIGURE 103 "A"**  
STOW POSITION



Floor finished with 5/8" or 3/4" plywood before install of SPACELIFT unit.

**FIGURE 103 "B"**  
STOW POSITION



Floor finished with 5/8" or 3/4" plywood before install of SPACELIFT unit.

**SpaceLift**™

RAISING STORAGE TO A HIGHER LEVEL

Visit [spaceliftproducts.com](http://spaceliftproducts.com)